

C.R.O.S.S.

Coolant Recovery Oil Separation System



The C.R.O.S.S. Unit was developed for shops having machine tools with individual coolant reservoirs.

C.R.O.S.S. is used in conjunction with a portable sump cleaner/filter that is used on a regular basis to remove contaminated coolant and all swarf, chips and sludge from the coolant reservoir.

The C.R.O.S.S. Unit is furnished in startup condition, needing only electrical hook up and water supply for the coolant proportioner.

The C.R.O.S.S. is manufactured from mild coated steel and other high-grade material suited for industrial applications.

Economical, Field Proven Performance

- Removes tramp oil to less than 1/4 of 1% by volume
- Removes suspended solids to acceptable levels
- Coolant proportioner replaces fluid lost due to evaporation or spillage
- Separated oils can be sold or reused
- Standard systems process up to 900 gallons per hour
- Automatic operation
- Compact, self contained

Total Effectiveness

- Reduces waste disposal cost by 85% to 90%
- Reduces new fluid purchases by 45% to 80%
- System pay back is typically 3 to 9 months
- User friendly



Clean Fresh Coolant



Tramp Oil Removal



EdjeTech

Increasing Production Through Waste Minimization

Edjean Technical Services, Inc.
246 US HWY 224, STE A
Sullivan, OH 44880

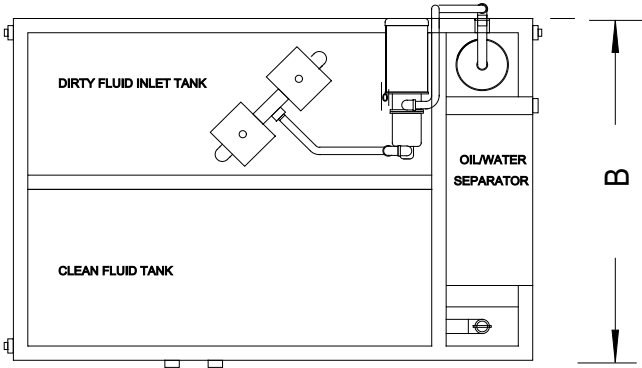
Ph. (800) 242-0525

Fax (877) 806-2400

E-mail: sales@edjetechn.com

Web site: www.edjetechn.com

EdgeTech C.R.O.S.S. SYSTEM SPECIFICATIONS

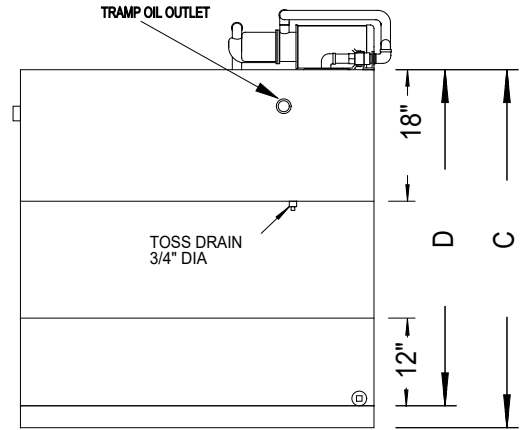
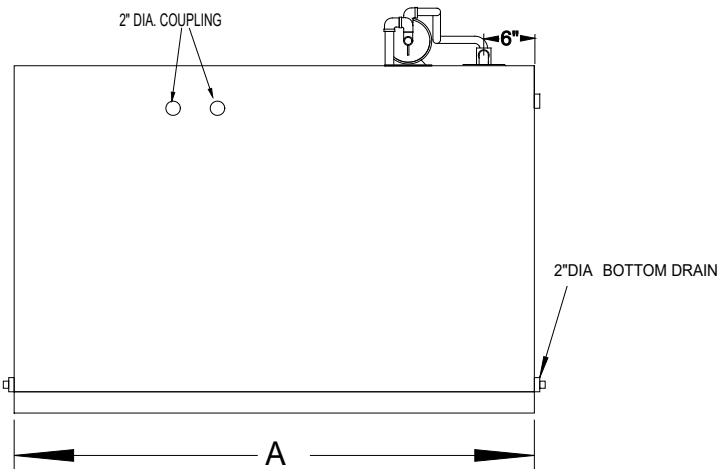


System Features

- Carbon Steel Construction
- Chemical Resistant Paint
- Electric:
 - Single Phase on 250 & 450
 - Three Phase on 850 and up
- Proportioner: Piston Style
- Polypropylene Coalescing Media

Options

- Pre filtration
- Clean Coolant Return System
- Electronic Refractometer



System	Flow Rate (GPM) (LPM)	Dirty Tank (Gallons) (Liters)	Clean Tank (Gallons) (Liters)	A (inches) (cm)	B (inches) (cm)	C (inches) (cm)	D (inches) (cm)
250	2	130	120	60	42	39	36
	7.6	492	454	152.4	106.7	99.1	91.4
450	5	250	200	72	48	49	46
	28.9	946	757	182.8	121.9	124.5	116.8
850	10	450	400	120	48	53	50
	37.8	1703	1514	304.8	121.9	134.6	127
1200	15	600	600	132	60	57	54
	56.8	2271	2271	335.3	152.4	144.8	137.2
1600	15	800	800	132	60	78	82
	56.8	3028	3028	335.3	152.4	198.3	208.3
2200	25	1100	1100	168	96	64	58
	94.6	4164	4164	426.7	243.8	162.6	147.3