



KAL SEPARATOR

Magnetic Separator

The KAL Separator is designed to extend the life of water-based coolants, synthetics and alkaline wash water by removing metallic fines of 0.25" x 0.25" or smaller.

Applications for the KAL Separator can be found in metalworking facilities on machines such as grinding, turning and general machining operations. They are used as well in the mechanical, chemical, dyeing, food, glass, washing, painting, and water treatment industry.

Benefits

- Reduces Reservoir pump outs
- Reduces machine wear
- Removes 1/4" solids and below
- 98% removal efficiency
- Minimal Maintenance

Features

- Compact and efficient, fits almost anywhere.
- Flow rates of 10-100 gallons per minute*
- Gravity flow outlet

**Larger units available upon request*

Application:

Separation of magnetic particles from machine tool coolants or similar liquids with a maximum viscosity of 20° cST at 100°F.

Suitable for:

- Grinding
- Metal machining processes
- Applications where heavy ferrous particulate is present.



EdjeTech

Increasing Production Through Waste Minimization

Edjean Technical Services, Inc.
246 US HWY 224, STE A
Sullivan, OH 44880

Ph. (800) 242-0525

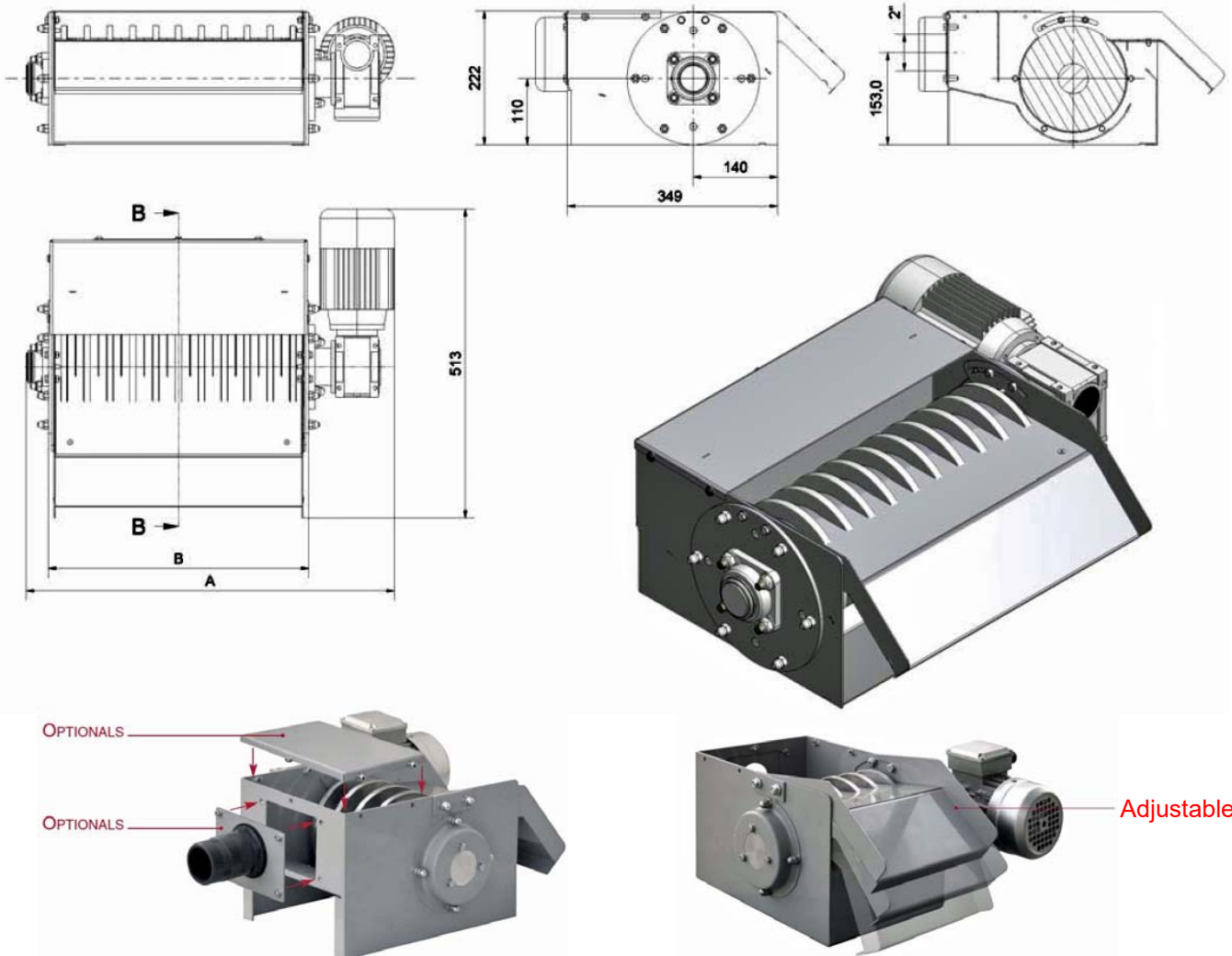
Fax (877) 806-2400

E-mail: sales@edjetech.com

Web site: www.edjetech.com

KMT Magnetic Separator

Dimensions and Flows



KAL	50	100	150	200	250	300	400	500								
GPM, Water	13.2	26.4	39.6	52.8	66	79.2	105.6	132								
GPM, Oil	6.6	13.2	19.8	26.4	33	39.6	52.8	66								
DIMENSIONS	MM	INCHES	MM	INCHES	MM	INCHES	MM	INCHES	MM	INCHES	MM	INCHES	MM	INCHES	MM	INCHES
A	350	13.78	424	16.69	540	21.26	611	24.05	695	27.36	840	33.07	1032	40.63	1210	47.64
B	172	6.77	246	9.68	362	14.25	433	17.05	517	20.35	662	26.06	854	33.62	1044	41.1
C	513mm/20.2"															
D	222mm/8.75"															
E	110mm/4.33"															
F	349mm/13.75"															
G	140mm/5.51"															
H	153mm/6"															